

R+M/Suttner Product Information:
ST-83 Cold-Fog Air Hand Tool

April 2020



ST-83 Cold-Fog Air Hand Tool

The cold fog hand tool ST-83 is perfectly suited for all small areas for the application of disinfectants, odor neutralizers or insecticides.

The device is very easy to use. All that is required for operation is a compressed air connection with an effective air volume of approx. 200 l / min and at least 3 bar air pressure. After the agent to be dispensed has been filled into the container, the container is placed in the room to be treated and connected to the compressed air.

Then leave the room quickly to avoid inhaling the applied product. Depending on the room volume, medium volume, air volume and operating pressure, the room is completely filled with active ingredient mist. Due to the extremely fine nebulization, the active ingredient reaches the last corner reliably and thus ensures effective and even wetting of all surfaces. In contrast to conventional methods, the user does not come into contact with the agent to be applied.

Item-#: 200 083 500



ST-83 Cold-Fog Air Hand Tool

Applications:

- ✓ Disinfection
- ✓ Humidification/Cooling
- ✓ Odor Control
- ✓ Dust Suppression
- ✓ Car Wash & Detailing
- ✓ Decontamination
- ✓ Pest Control



ST-83 Cold-Fog Air Hand Tool

✓ Disinfection

- For agricultural use
- Removal of mould



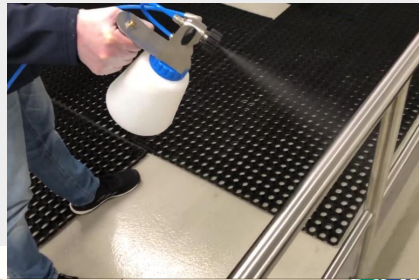
Advantages:

- *The disinfection solution can be mixed in the tank.*
- *Even Spraying (Fog)*
- *No inhalation of vapors – high user safety because there is no need to enter the compartment during disinfection.*



ST-83 Cold-Fog Air Hand Tool

✓ Disinfection



SEHR FLEXIBEL UND EINFACH ZU BEDIENEN



SEHR FLEXIBEL UND EINFACH ZU BEDIENEN

ST-83 Cold-Fog Air Hand Tool

✓ Odor Control

✓ Car Wash & Detailing

✓ Disinfection

- in all kind of passenger cars, like taxis, Uber, police cars, parcel services, ambulance cars, public transport, school busses, rental cars, car sharing, company fleets, bus stations and many more
- crime scene cleaning

Advantages:

- *Provides a safe and economical method of eliminating odors and disinfection.*
- *Even Spraying (Fog)*
- *No inhalation of vapors – high user safety because there is no need to enter the room or car during neutralization.*



ST-83 Cold-Fog Air Hand Tool

✓ Disinfection

In:

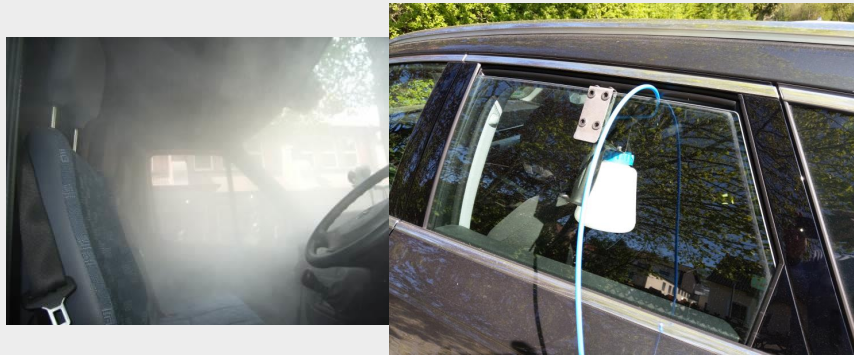
- all kind of passenger cars
- taxis
- Uber
- police cars
- parcel services
- ambulance cars
- public transport, bus, metro
- school busses
- rental cars
- car sharing
- company fleets
- bus stations
- Hotel rooms
- Vacation homes
- and many more



ST-83 Cold-Fog Air Hand Tool

✓ Disinfection

- in all kind of passenger cars, like taxis, Uber, police cars, parcel services, ambulance cars, public transport, school busses, rental cars, Car Sharing
- Office cleaning/disinfection



The cold fog decontaminates the vehicle through the air conditioner and removes odors. Because the operation is carried out quickly, it offers service benefits to car fleet owners or service providers.

Through the dry nebulization a strong odor binding agent or disinfectant contaminations in vehicle interiors as well as in the air conditioning systems can be neutralized quickly and sustainably. At the same time, germs and allergens in the air and on all surfaces are bound and rendered harmless.

The specific dosage makes it possible that contaminations, viruses and bacteria can be removed from the interior without leaving any residue in the interior or the air conditioning. With our newly developed dry-fogging technology, vehicle interiors can be made hygienically clean and germ free again. The application has been approved according to strict guidelines and is an important contribution to healthy air in enclosed spaces.

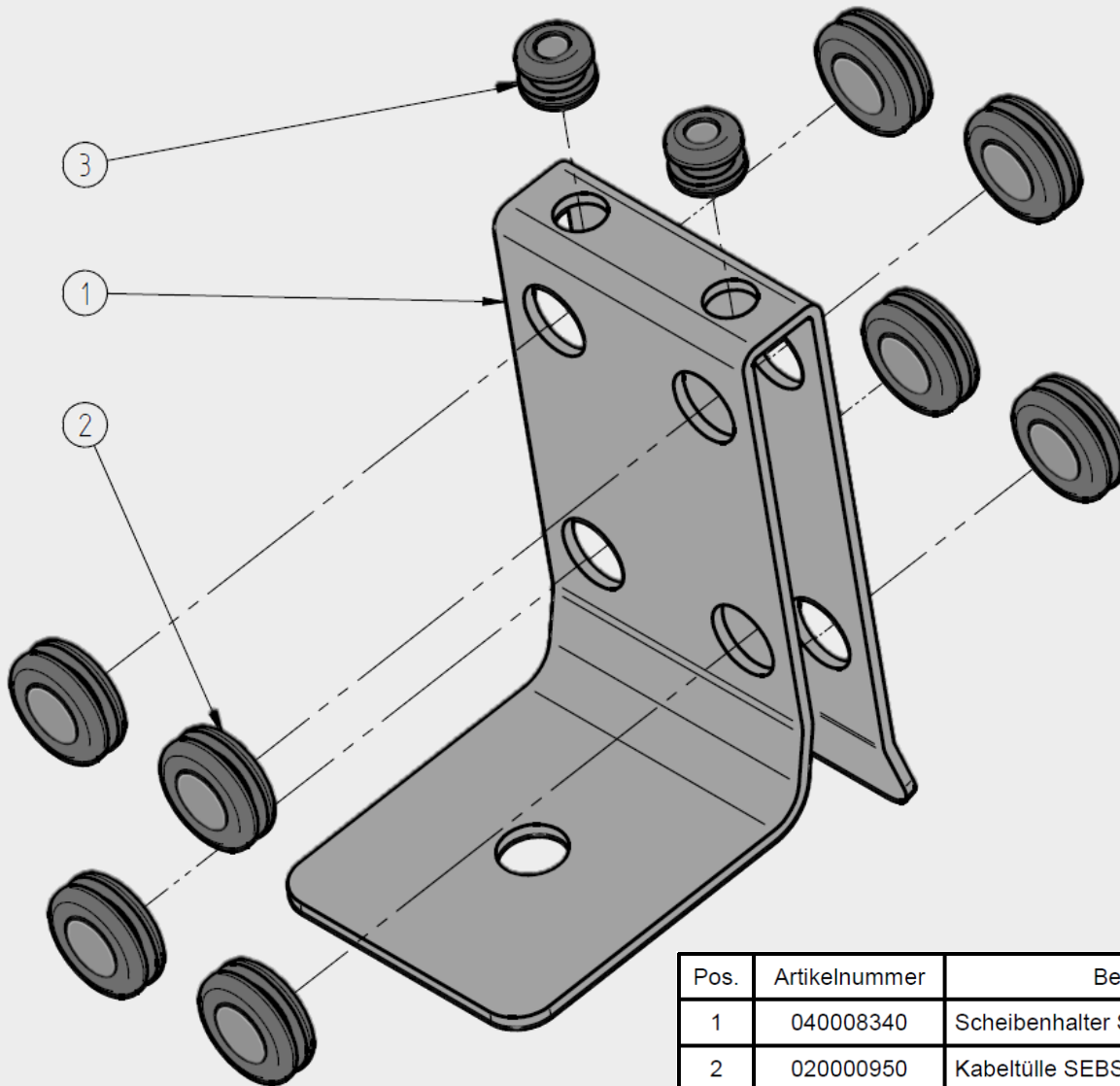
ST-83 Cold-Fog Air Hand Tool



How it works:

- The ST-83 misting device that is attached to the side window mists the substance into the interior of the vehicle. There is no moisture penetration from its use.
- The fine mist penetrates into all cracks and binds odor particles. Use an aqueous solution and therefore nonflammable. Take care that it does not irritate, does not cause allergies, and is safe for prescribed use on all surfaces and electronics.
- If the air conditioning system is turned on at the same time, it is also purified from micro-organisms, bacteria and viruses by the fumigation.
- The trunk could be misted separately if required.
- After a short acting time and then ventilation, the vehicle is again ready for use and completely disinfected. The process must only be repeated in rare cases.

ST-83 Cold-Fog Air Hand Tool



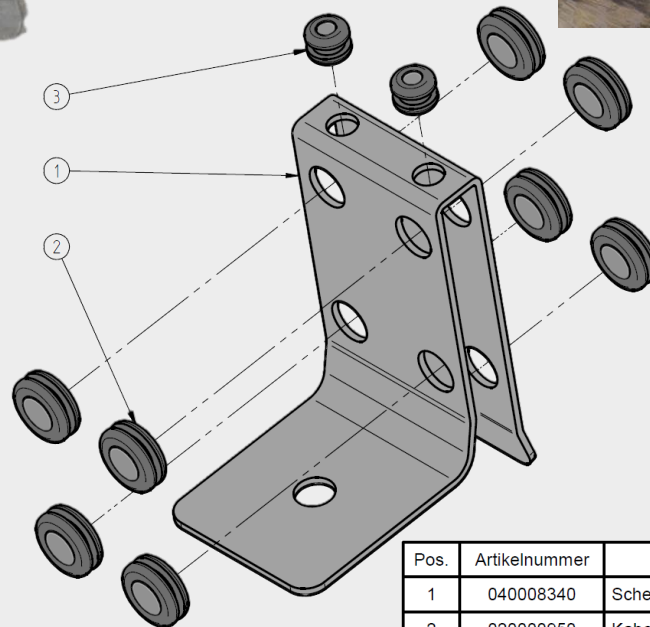
- Holder for internal car disinfection
- Materials: Stainless steel and Rubber
- Item-#: 200 083 400

Pos.	Artikelnummer	Benennung	Menge
1	040008340	Scheibenhalter ST-83	1
2	020000950	Kabeltülle SEBS 10x18x12x2x6,5 sw	8
3	020000955	Kabeltülle SEBS 5x11x8x3x8 sw.	2

ST-83 Cold-Fog Air Hand Tool



- Holder for internal car disinfection
- Materials:
Stainless steel and Rubber
- Item-#:
200 083 400



Pos.	Artikelnummer	Benennung	Menge
1	040008340	Scheibhalter ST-83	1
2	020000950	Kabeltülle SEBS 10x18x12x2x6,5 sw	8
3	020000955	Kabeltülle SEBS 5x11x8x3x8 sw.	2

ST-83 Cold-Fog Air Hand Tool

✓ Pest Control

- For agricultural use



Advantages:

- *The herbicide solution can be mixed in the tank.*
- *Even Spraying (Fog)*
- *No inhalation of vapors – high user safety because there is no need to enter the compartment during application.*

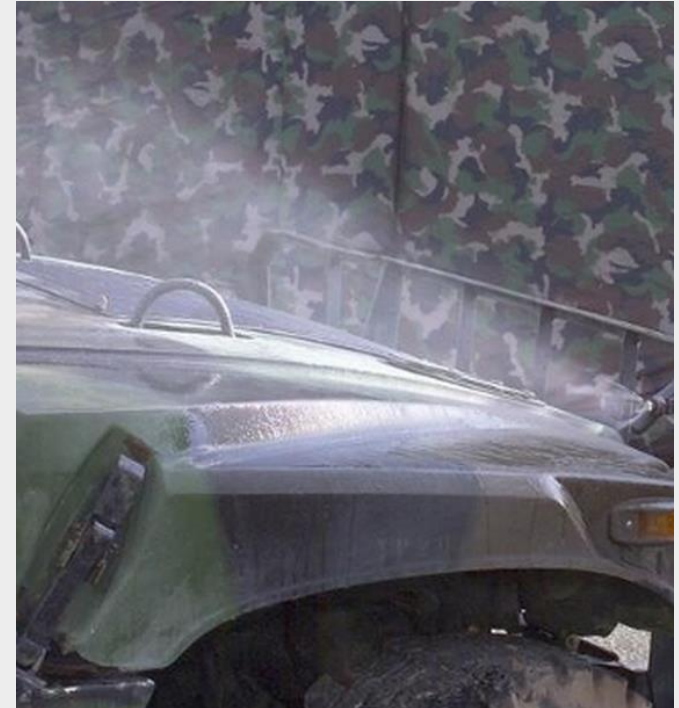
ST-83 Cold-Fog Air Hand Tool

✓ Decontamination

- Defense Technology
- Industrial technology

Advantages:

- *The decontamination solution can be mixed in the tank.*
- *Even Spraying (Fog)*
- *Mobile Unit*
- *For small applications (inside vehicles)*
- *Easy to set up*



✓ Dust Suppression

Dust consists of tiny solid particles carried by air currents. Fog suppression is one technique to optimize the application of water to capture dust fines floating in the air. For that, very fine water droplets are sprayed into the air after the dust becomes airborne. When the water droplets and dust particles collide, agglomerates are formed. When these agglomerates become too heavy to remain airborne, they settle.



Advantages:

- *Provides a safe and economical method of eliminating dusts.*
- *highly effective*
- *inexpensive dust capture combined with low cost of both installation and operation.*

ST-83 Cold-Fog Air Hand Tool

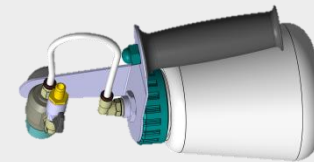
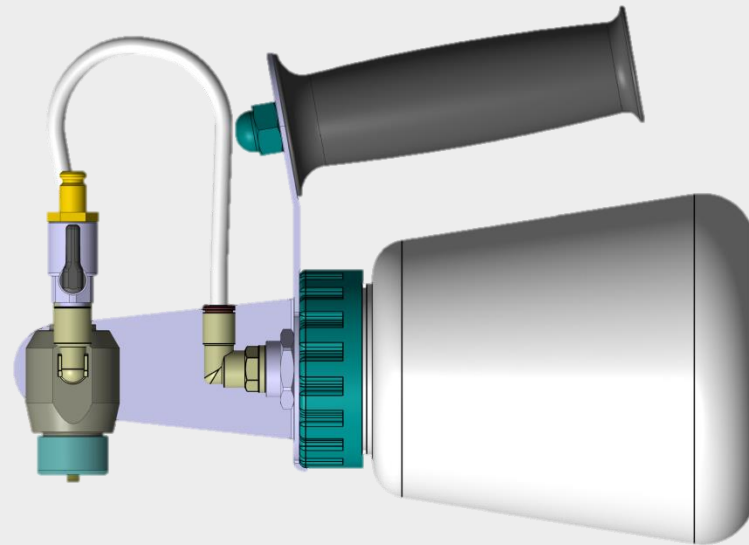
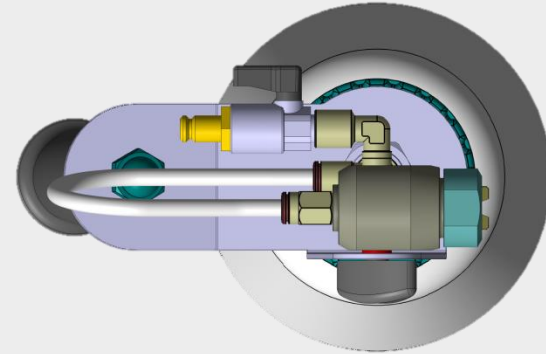
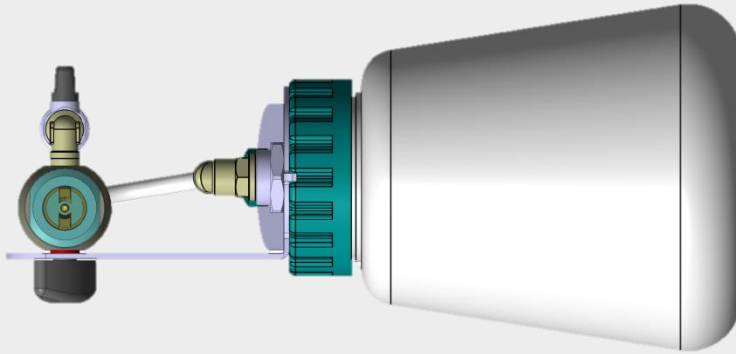
- ✓ Humidification/Cooling
 - For agricultural use

Advantages:

- *Mobile unit*
- *Easy to set up*
- *For small or targeted application*

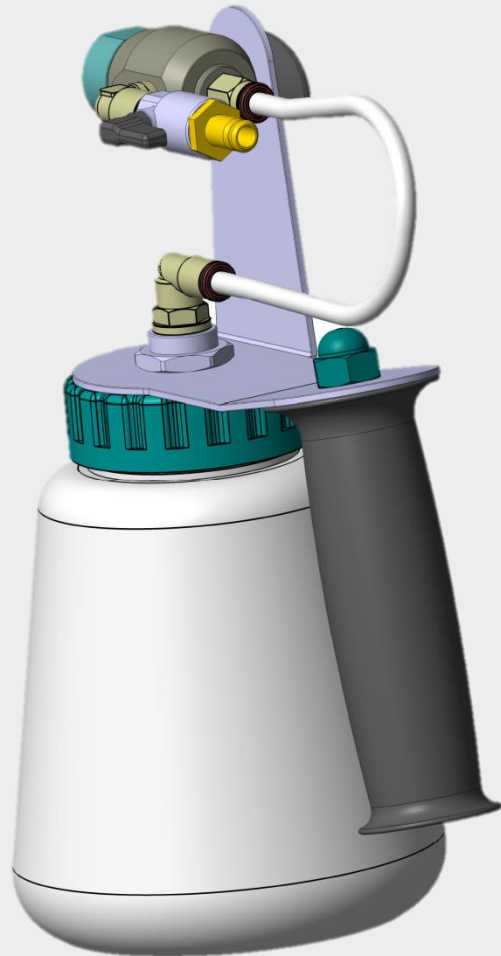


ST-83 Cold-Fog Air Hand Tool



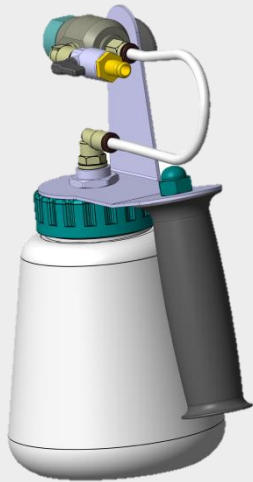
Item-#: 200 083 500

ST-83 Cold-Fog Air Hand Tool

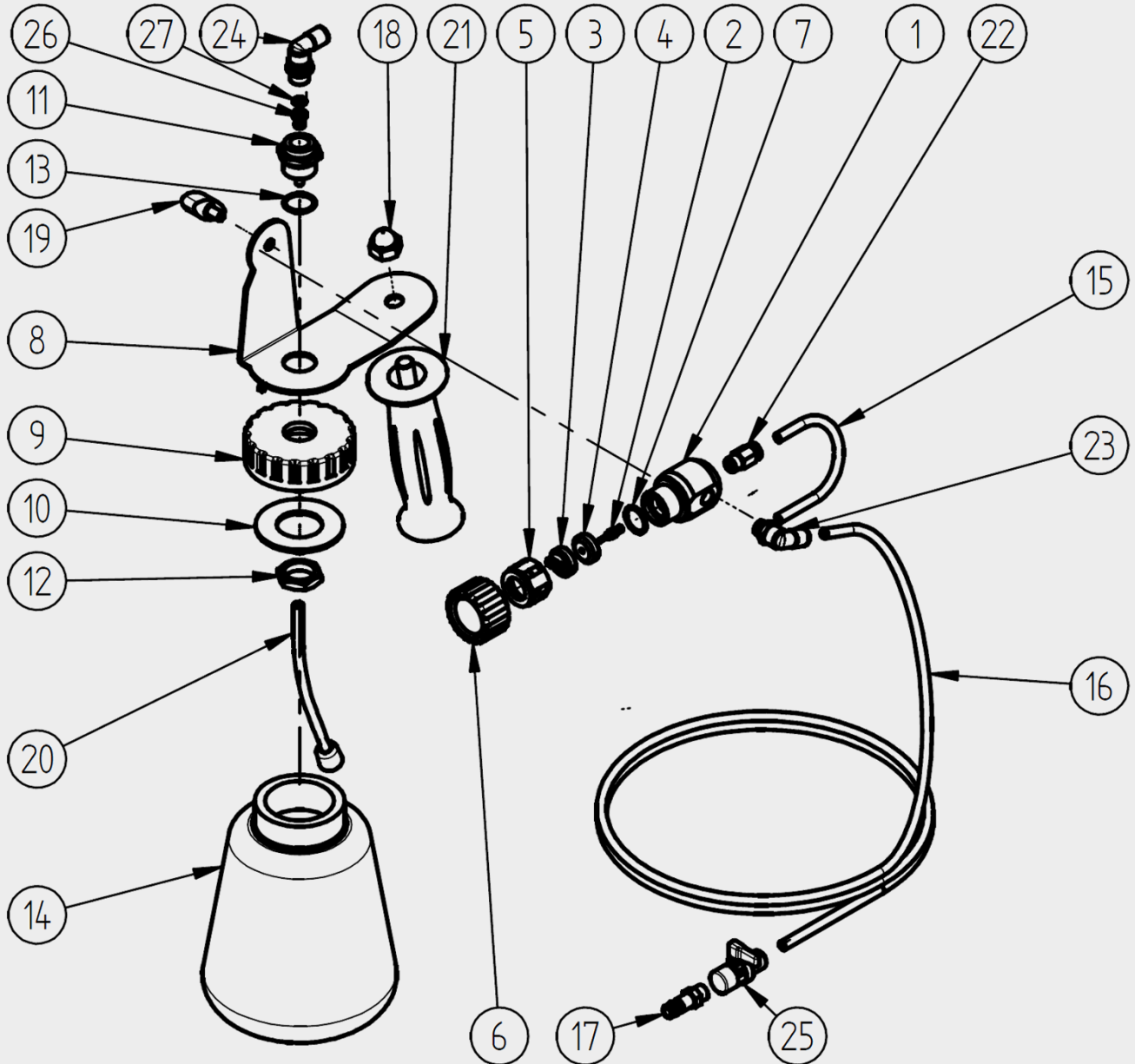


Item-#: 200 083 500

ST-83 Cold-Fog Air Hand Tool

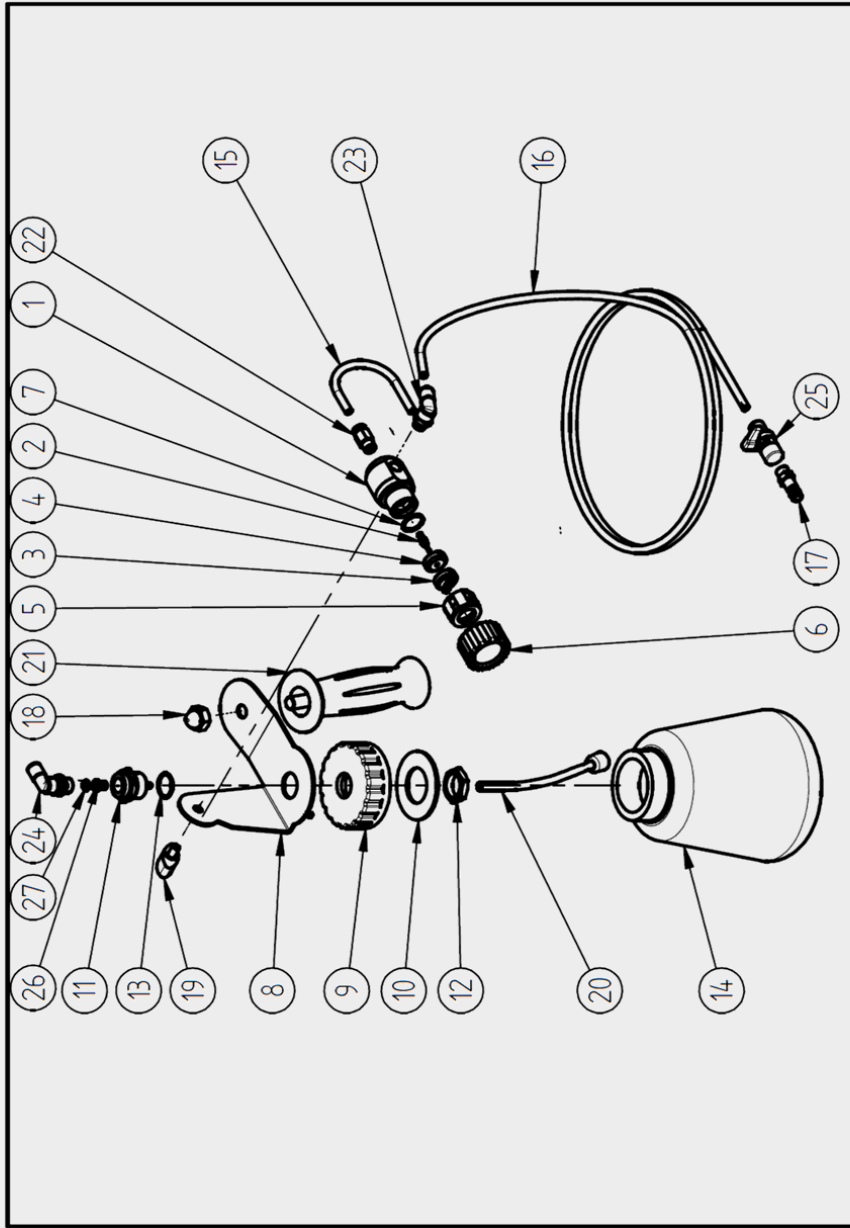


ST-83 Cold-Fog Air Hand Tool



ST-83 Cold-Fog Air Hand Tool

Item-No. 200083500



Pos.	Item-No.	Description
18	010008310	Black nut M10x1
19	200083010	sValue
20	106996717	Suction hose ST-83
21	200009680	sValue
22	200083030	Screw coupling ST-83 G1/8 male
23	200083040	Angle screw coupling ST-83 G1/8m
24	200083020	Angle screw coupling ST-83 G1/4m
25	200083050	Ball valve ST-83 G1/8male - Ø6
26	020004707	Restriction 0.7
27	050000010	O-ring 3.3x2.4

Pos.	Item-No.	Description
1	040008310	Housing ST-83
2	040008315	Nozzle medium ST-83
3	040008320	Air nozzle ST-83 side outlet
4	040008325	Air nozzle straight ST-83
5	040008330	Cap nut ST-83
6	020000740	sValue
7	050000040	O-ring 14,1x1,6
8	040008335	Hold plate ST-83
9	106996714	Cover ST-83 blue
10	106996715	Seal ST-83
11	106996723	Screw coupling G1/4fm. ST-83
12	106996722	Black nut ST-83
13	050000565	O-ring 17x1,5
14	106996713	Bottle ST-83 1 Liter
15	080008301	PU-hose Ø6 ST-83 0,17m long
16	080008302	PU-hose Ø6 ST-83 2,0m long
17	010008315	Plug nipple G3/8 fm. ST-83

ST-83 Cold-Fog Air Hand Tool



Item-#: 200 083 500

ST-83 Cold-Fog Air Hand Tool

Can Adapter for 5 - 30l canister
Chemical intake hose 500 mm included
Item-#: 200083200

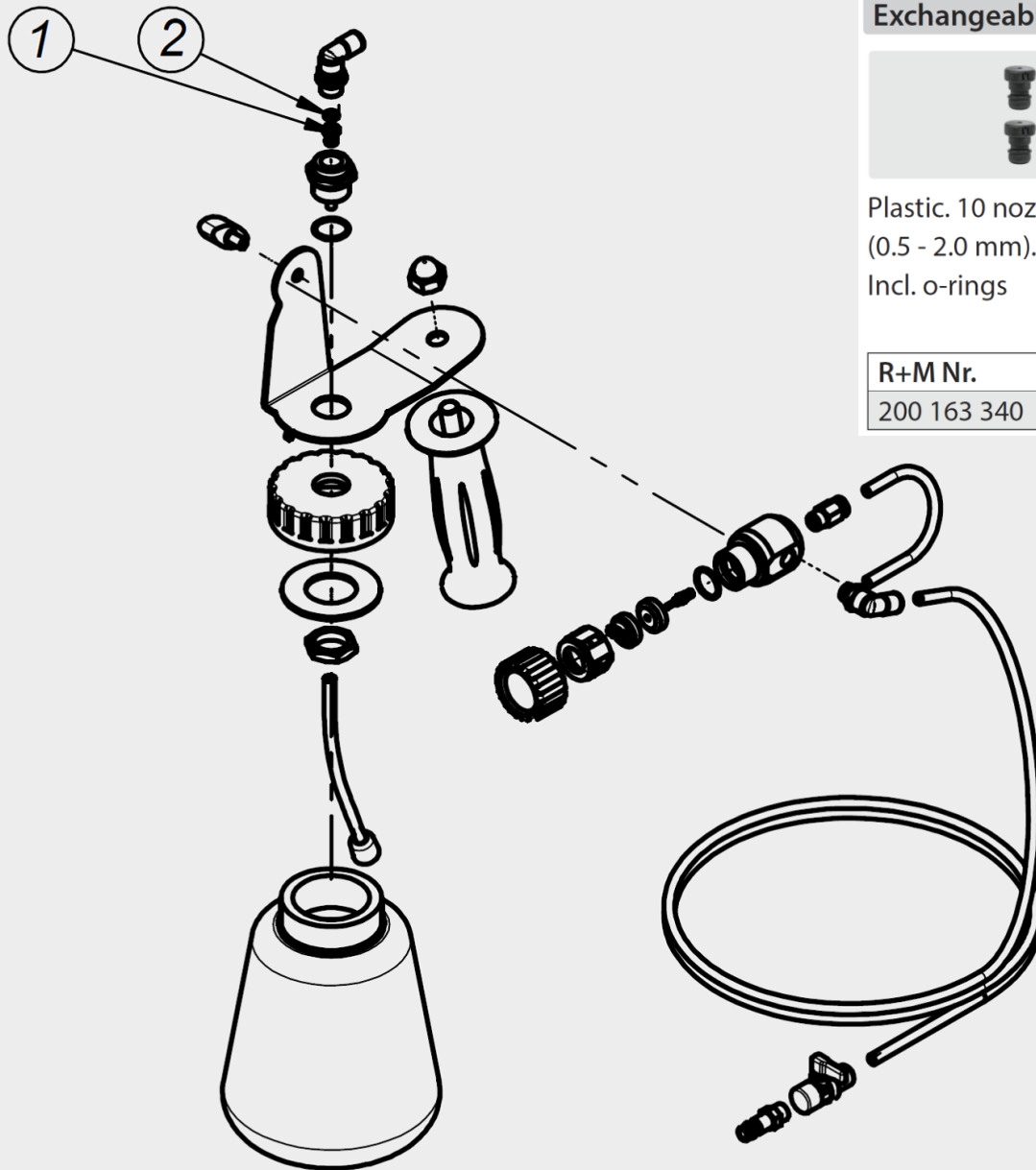


ST-83 Cold-Fog Air Hand Tool

Can Adapter for 5 - 30l canister
Chemical intake hose 500 mm included
Item-#: 200083200



ST-83 Cold-Fog Air Hand Tool



Exchangeable nozzle inserts



Plastic. 10 nozzle inserts
(0.5 - 2.0 mm).
Incl. o-rings

R+M Nr.
200 163 340



Plastic. 9 nozzle inserts (0.5 - 1.5 mm).
Incl. o-rings. Incl. 1 insert without
hole

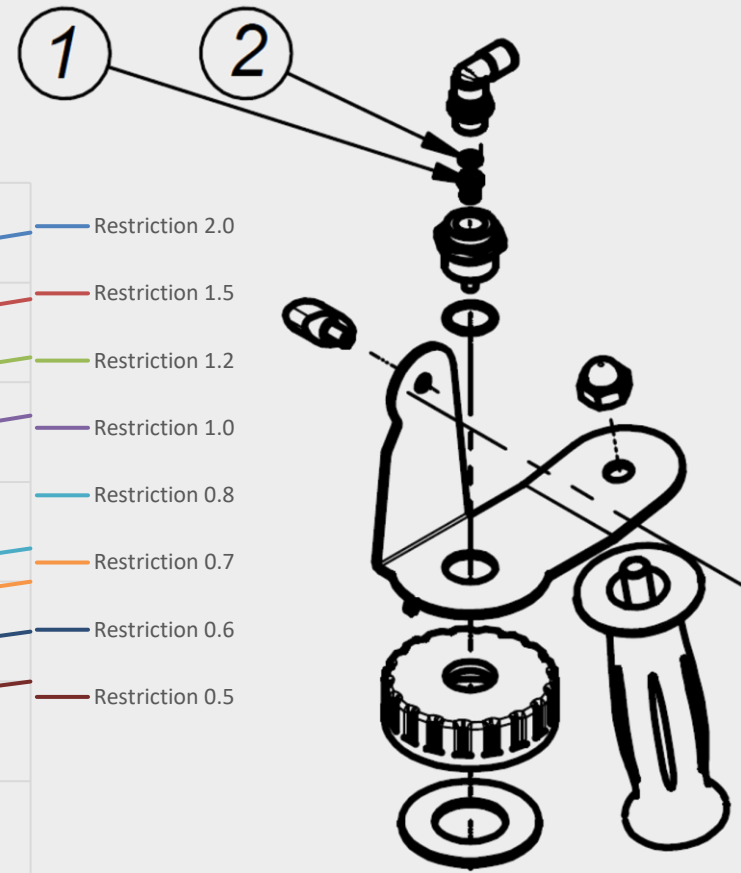
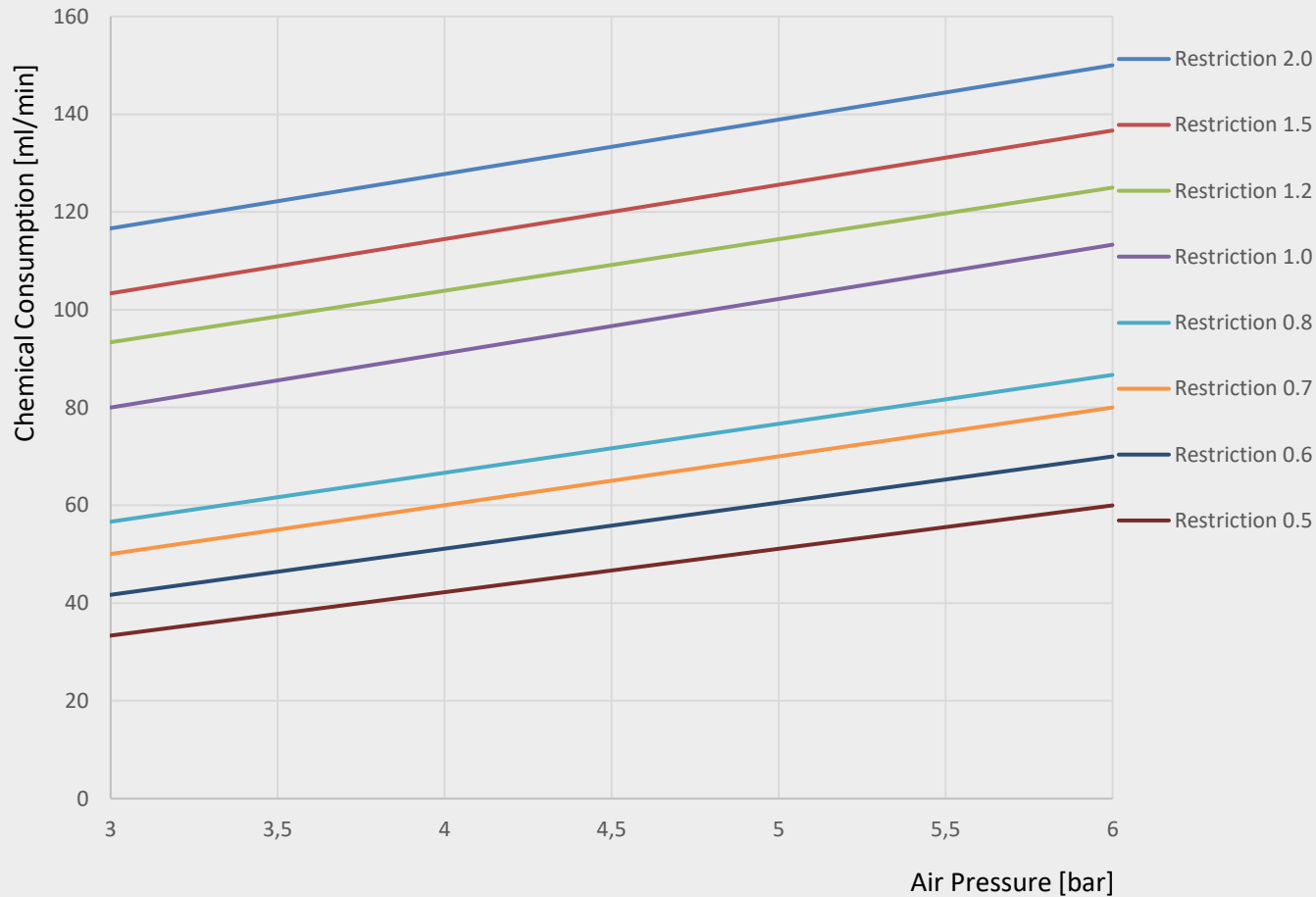
R+M Nr.
200 163 335

Exchangeable Dosing Nozzle Inserts

Dosing Nozzle 0,7mm built in.

ST-83 Cold-Fog Air Hand Tool

ST-83 Chemical Consumption

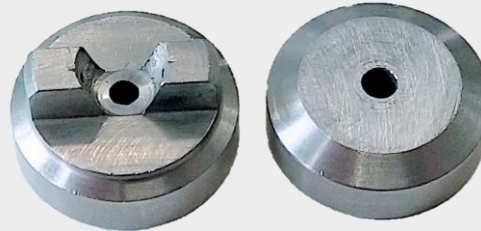


ST-83 Cold-Fog Air Hand Tool



Better swirling. Particularly suitable in smaller rooms such as cars and other passenger compartments.

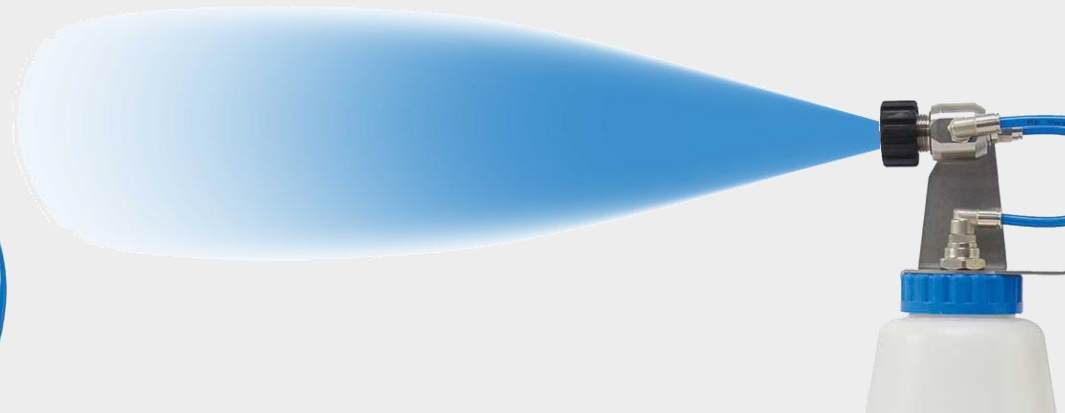
Two different fogging nozzle inserts included



Easy nozzle change thanks to the hand screw connection



Larger throw range. For the treatment of entire rooms or for targeted treatment at the air intake of ventilation systems.



Drop Sizes:

Diameter of droplets depends significantly on the type of disinfectant due to their influence on the surface tension.

Generally speaking, ST-83 drop sizes are below 30 μ m even when the valve is turned fully open.

Higher air pressures create smaller droplets.

Air Consumption

Air consumption is about 180-220 l/min. at 3 bar. This is also the required inlet pressure.

Surface Coverage

By use of the 1l-bottle 60 m³ should be covered.

This is about a 25 m² room or 5 – 7 car passenger compartments.